

SEW of Oregon

d/b/a: Smith Equipment & Welding

P.O. Box 625

13800 Allen Creek Rd.

Prineville, Oregon 97754

541-447-2061

800-777-2342

Fax: 541-447-2810

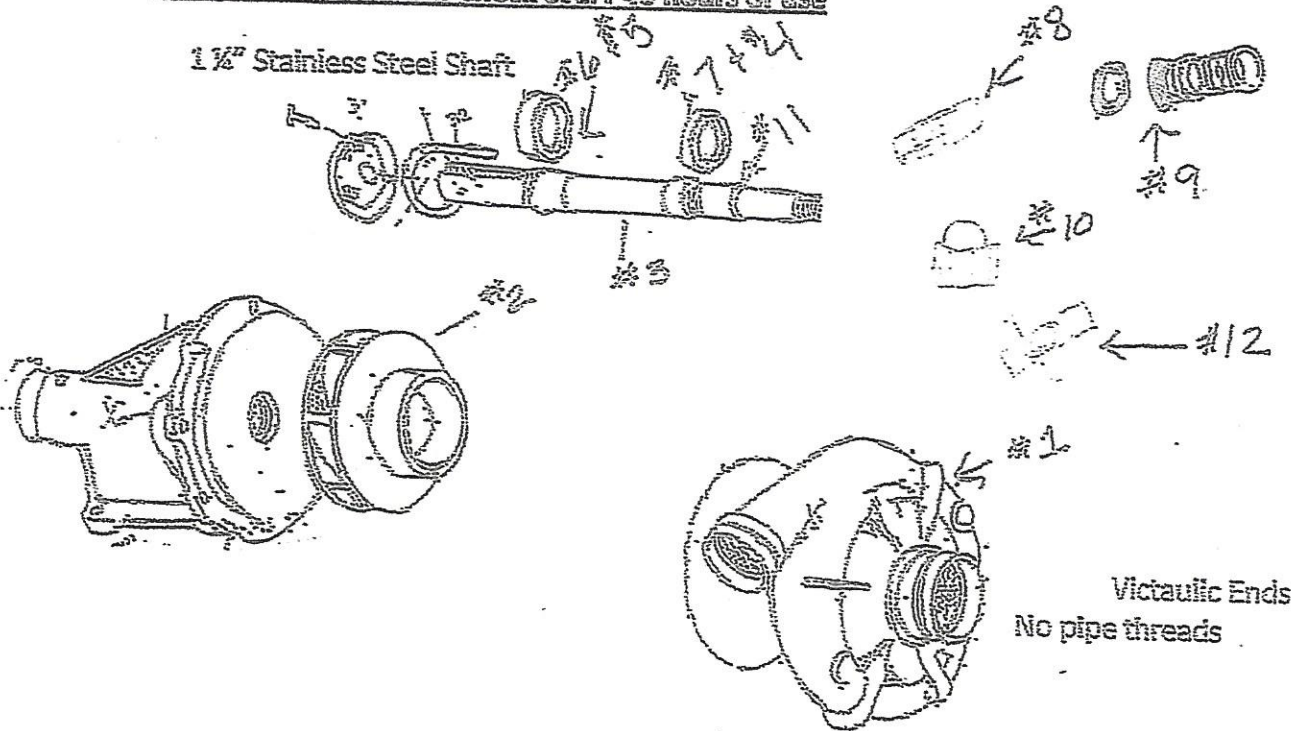
www.watertrucks-tanks.com

Rainmaker Aluminum Centrifugal Pump 1000 gallon per minute Pump Frame Mount

Victaulic Case Mount, Stainless Steel Shaft.

Motor Oil Lubrication: Check every 40 hours of use

Mechanical Seal Construction



Item No.	Part Description
1	Case Volute
2	Impeller
3	Shaft 1 1/2"
4	Ball Bearing (7207AC)
5	Ball Bearing (6307ZC)
6	Front Seal (TC327210C)
7	Rear Seal (TC3265103C)
8	Key, 1 1/2"x 1/2"
9	Mechanical Seal Assy. (VTM106K51C304)
10	Nut
11	Retaining Ring (16744)
12	Lock Washer